



# CAMBRIA LIVE

Flexible and Scalable Live Encoding Software

## Effortless Streaming

The customizable and flexible Cambria Live series fits seamlessly into your workflow. Deliver the highest-quality live and on-demand video to your viewers, while robust ad-insertion capabilities help you fully monetize your content.

# INNOVATIVE FEATURES

## \* Automation for Maximizing Efficiency

The Cambria Live series automates live streaming of multiple events based on your schedule. It seamlessly integrates with your existing playout and ad scheduling systems and combines live and file assets.

## \* Monetization Made Simple

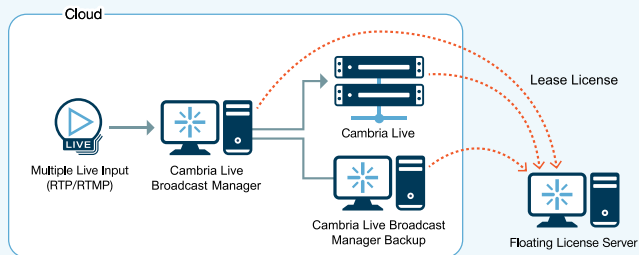
Cambria Live includes robust ad insertion capabilities that maximize monetization opportunities. It ingests all popular types of ad insertion signals and outputs to popular SSAI platforms.

## \* All in One Streaming Broadcast System

Cambria Live is all in one system that handles live switching, production, function, encoding and distributions. A single operator can direct a high-quality live HD video productions and streaming.

## \* On Premises or in the Cloud

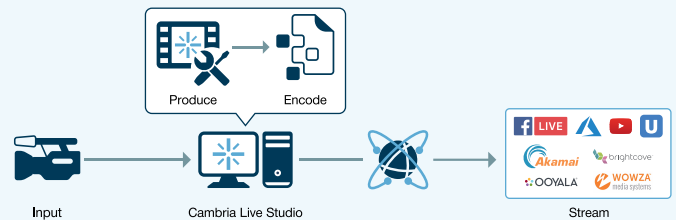
Cambria Live can run on premises or in the cloud.



Floating License Server communicates with Cambria Live installed on cloud for activating, deactivating, and moving a license to a different machine in the cloud.

## + Cambria Live Studio

Cambria Live works as a standalone, all-in-one live studio encoder or as a part of a network of multiple Cambria Live workstations overseen by Cambria Live Broadcast Manager (BCM).



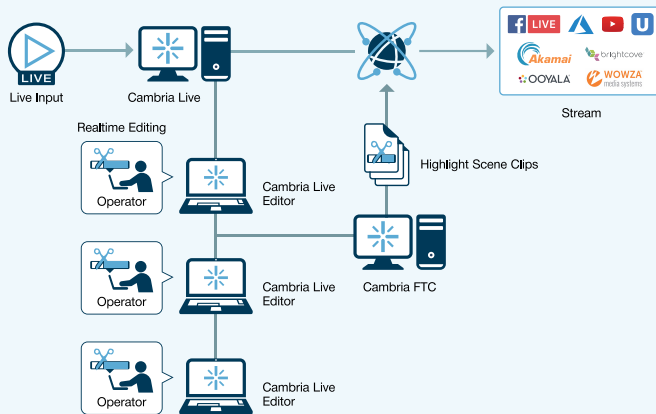
### CAMBRIA LIVE STUDIO KEY FEATURES

Input	Production	Distribution
Multiple Capture Input Support	Audio Level Control	YouTube Live
Video File Input Support	Cambria Live Edit	Facebook Live
UDP/RTP/SRT/Zixi Support	Chroma Key Support	Akamai
SDI, HDMI Support	Audio Mixer	Brightcove
Playlist Creation/Import	Scrolling Text Insertion	File Recording
Build in Live Production Switcher	Real-Time Text/Layer Insertion	HLS, MPEG-Dash
Live Desktop Stream	Lip Sync Delay/Adjustment	CMAF
Picture in Picture	Compositing	SRT, Zixi
RTMP, RTSP		RTMP, RTSP Support
PowerPoint File Import		
Multi-View Function		

## + Cambria Live Editor

### Easy to Use Editing Tool for Creating Highlight Clips

Cambria Live Editor is a standalone application that can be installed on any computer on a Cambria Live network. Editors on multiple workstations can create highlight clips simultaneously during an event.



### CAMBRIA LIVE EDITOR KEY FEATURES

Set In/Out Points to Create Highlight Clips

Shared Marker Support

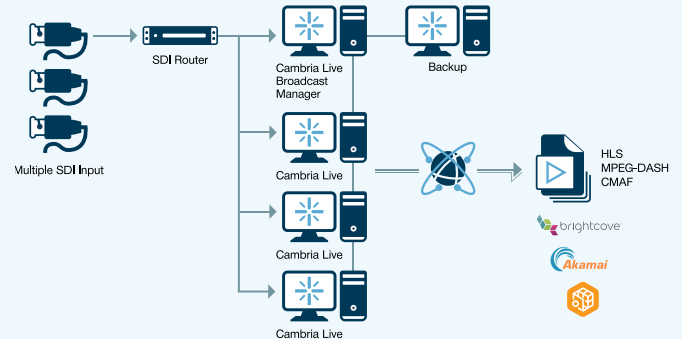
Preview Highlight Clips Live

Integration with Cambria FTC

## + Cambria Live Broadcast Manager

### A Powerful Management Tool for High-Volume Live Streaming Broadcasters

BCM manages multiple Cambria Live workstations for a fully automated live streaming workflow, while handling ad insertion, scheduled live streaming and more.



### CAMBRIA LIVE BCM KEY FEATURES

SCTE35, SCTE104

Commercial Cue

Tone Support

Scheduler

YouTube Live Ad Insertion

Cambria Live Controller Plug In

ESAM Integration

Web UI

Cambria Ad Break Control

Notifications

Modern Rest API

Scheduled Machine Maintenance

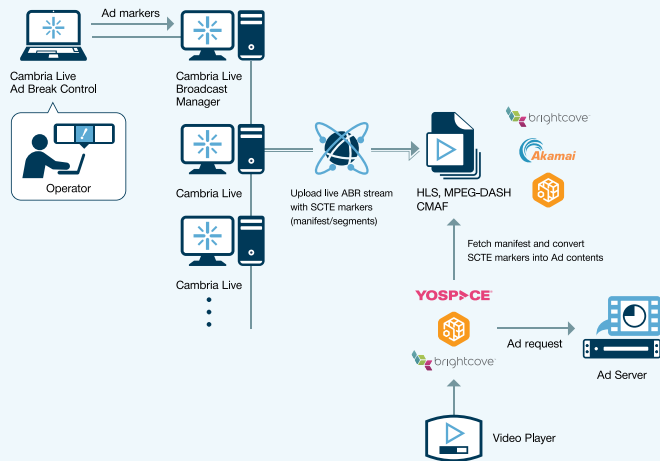
Cambria Live Machine Fail Over

BCM Redundancy

## + Cambria Ad Break Control

### Easy to Use, Cost Effective Tool to Monetize Live Events

Operators can dynamically insert ad breaks into a broadcast system and monitor multiple live streams. Cambria Live Ad Break Control routes ad insertion cues to Cambria Live Broadcast Manager, where programming is encoded into MPEG-Dash, HLS and CMAF with SCTE-35 for SSAI.



### CAMBRIA AD BREAK CONTROL KEY FEATURES

Monitor Multiple Live Steaming Events	Ad Cancellation
Prefetch Feature	Sparse Ad Break Support
Emergency Ad Break	
Zoom on Scoreboard Feature	
Integration with Yospace Telemetry SDK	
Integration with Brightcove	



2109 O'Toole Ave Suite O & P  
San Jose, CA 95131  
(408) 770-1850

sales@capellasystems.net  
www.capellasystems.net